

Peg Bench

Congrats on your new Peg Bench!

We hope very much that you are going to be happy with your new Peg Bench for many years to come. In the following pages you will find out how to assemble and look after your new piece of furniture.

Assembly

Please see the following assembly instructions or find them at www.moebe.dk

Taking care of your new Peg Bench

Your bench has been treated with a clear, water based lacquer. If you need to clean the bench do so with a damp cloth using a mild detergent if needed.

Do not leave the bench wet or soaked for longer periods of time and always remember to dry it off after cleaning.

5 Year Warranty

We believe in what we do and in the quality of our products. That's why we give you a 5 year warranty. This guarantee covers any functional, material or manufacturing defect on any product you buy from us for private use.

Safety and durability

The durability and safety of this bench has been tested by the Danish Technological Institute according to the European standard for furniture EN 16139:2013 and has passed this test.

Spare parts – Keep it going forever

All our products are component based and have been designed this way to make repairs simple. You can find and purchase all spare parts for your product on www.moebe.dk for a period of at least 5 years after your purchase. It should always be cheaper and easier to repair, than buying new.

Recycling

Whilst we hope that your MOEBE Peg Bench will serve you well for many years to come, if you do at some point wish to recycle it then it is easy to do so. Simply split the product down into its separate parts and recycle them by material.

All parts can be recycled. How this is done depends on local regulations and facilities.

Step Stool, Stool and Bench are made from Solid Oak.

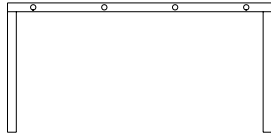
Due to this the Stools and Benches can expand and contract with temperature variances. This can in some circumstances make it difficult to assemble your new stool or bench if it has been recently stored in a cold or humid environment.

If this should be the case then it will be necessary to leave the stool or bench at room temperature for 48hours before completing its assembly.

If using a metal hammer to help with assembly, place a thick piece of cardboard or wood between the metal of the hammer and the wooden peg.



Peg Bench



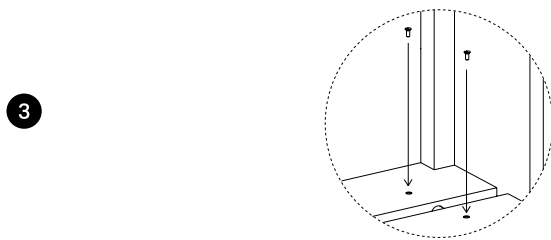
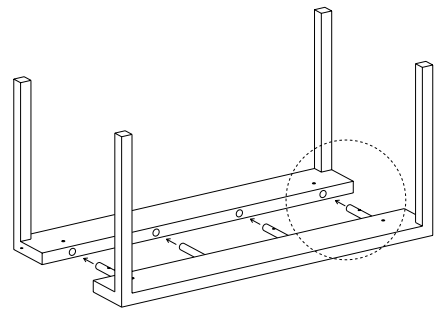
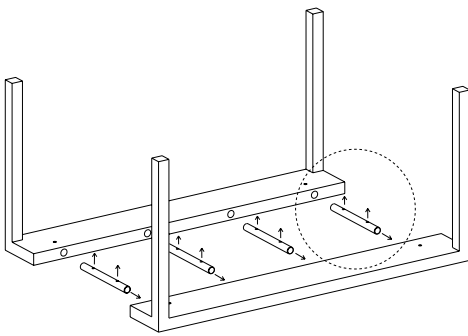
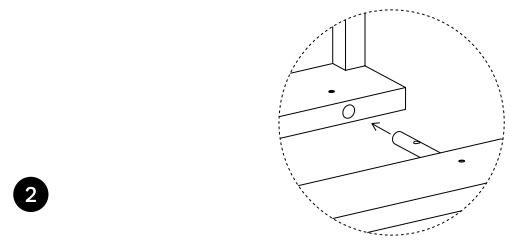
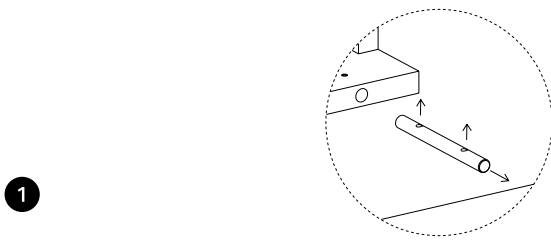
x2



x4



x8



4

