

# Dining Table

## **Congrats on your new Dining Table!**

We hope very much that you are going to be happy with your new Dining Table for many years to come. In the following pages you will find out how to assemble and look after your new piece of furniture.

## **Taking care of your Dining Table:**

### Wood

All wooden parts, including the tabletop, have been treated with a clear, water based lacquer.

The lacquer will protect the table from water, coffee, soda, wine and other common liquids spilled on a dining table. If you need to clean the table do so with a damp cloth using a mild detergent if needed.

Do not leave the table wet or soaked for longer periods of time and always remember to dry it off after cleaning.

### Brass

The brass fittings on your dining table have been left untreated and will become darker and patinate over time. Should you wish, the brass can be restored to a polished finish using common metal polishes available in eg. hardware stores.

### Linoleum

To care for your linoleum table top, clean it regularly with a damp cloth and mild soap, avoiding harsh chemicals or abrasives. For stubborn stains a specialized linoleum cleaner can be used. Wipe spills immediately to prevent stains, and use coasters or placemats to protect against scratches and heat. Avoid soaking the surface, and occasionally apply a linoleum care product to maintain its finish and durability.

### **5 Year Warranty**

We believe in what we do and in the quality of our products. That's why we give you a 5 year warranty. This guarantee covers any functional, material or manufacturing defect on any product you buy from us for private use.

### **Safety and durability**

The durability and safety of our tables have been tested by the Danish Technological Institute according to the European standard for dining tables EN 15372:2016, and has passed this test.

### **Spare parts – Keep it going forever**

All our products are component based and have been designed this way to make repairs simple. You can find and purchase all spare parts for your product on [www.moebe.dk](http://www.moebe.dk) for a period of at least 5 years after your purchase. It should always be cheaper and easier to repair, than buying new.

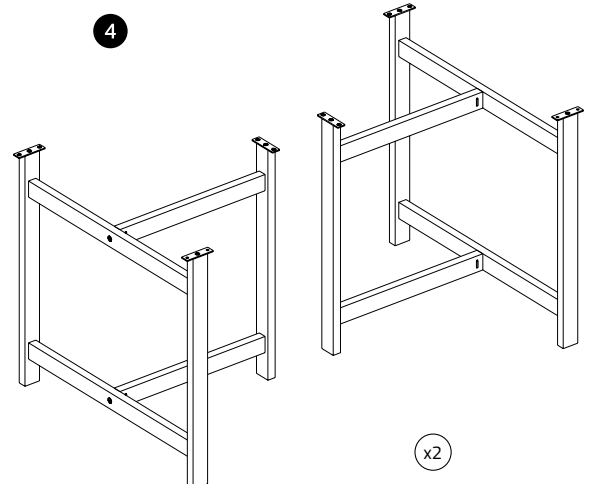
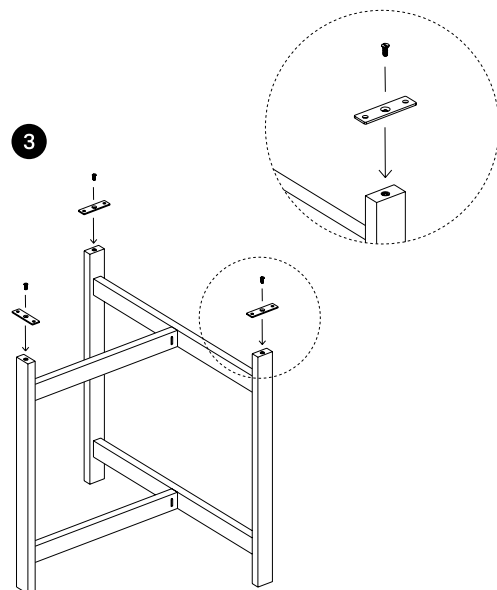
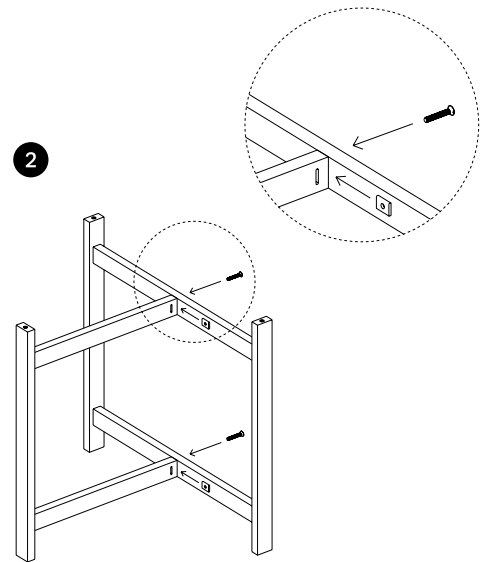
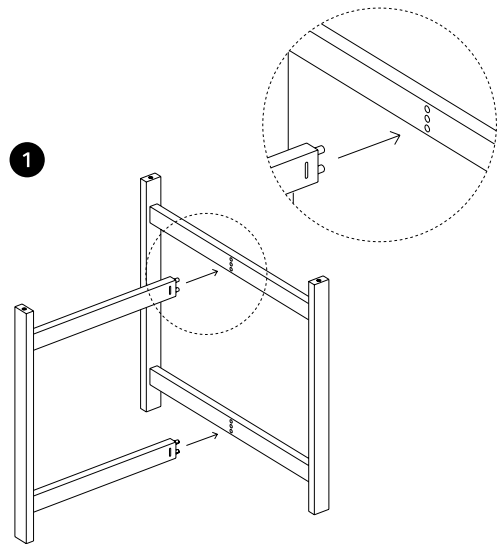
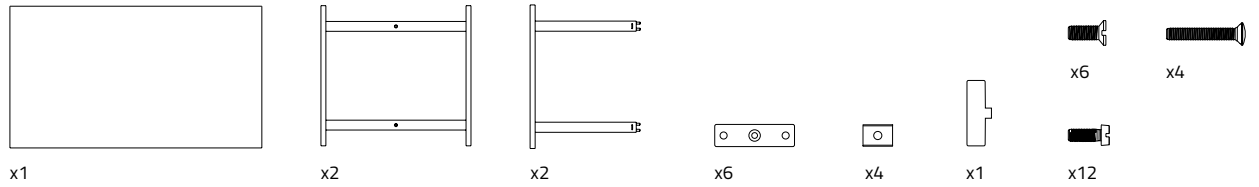
### **Recycling**

Whilst we hope that your MOEBE Dining Table will serve you well for many years to come, if you do at some point wish to recycle it then it is easy to do so. Simply split the product down into its separate parts and recycle them by material.

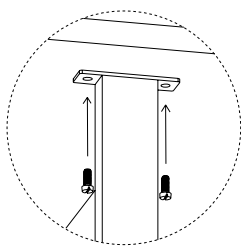
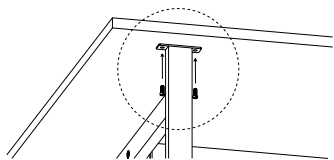
All parts can be recycled. How this is done depends on local regulations and facilities.



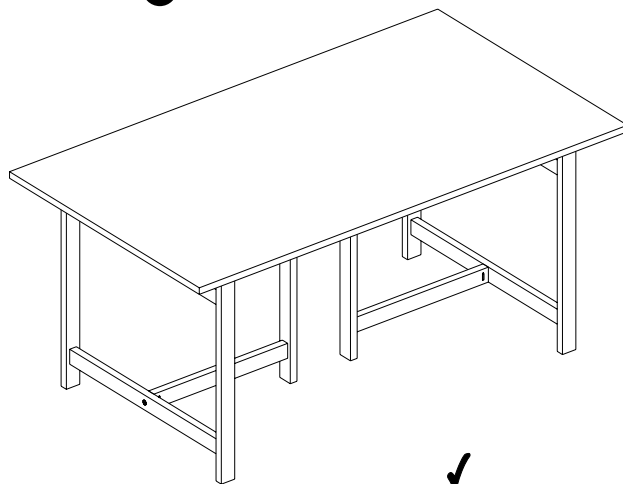
## Rectangular Dining Table



5

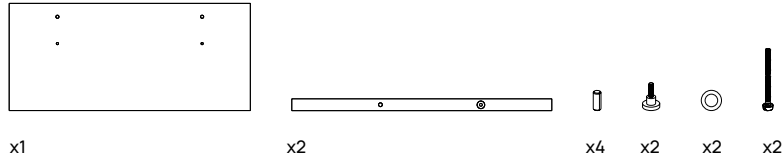


6

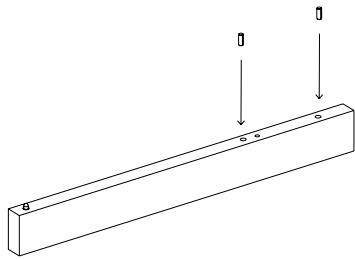




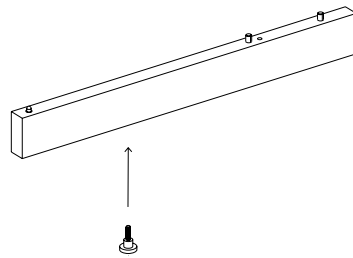
## Extension Leaf



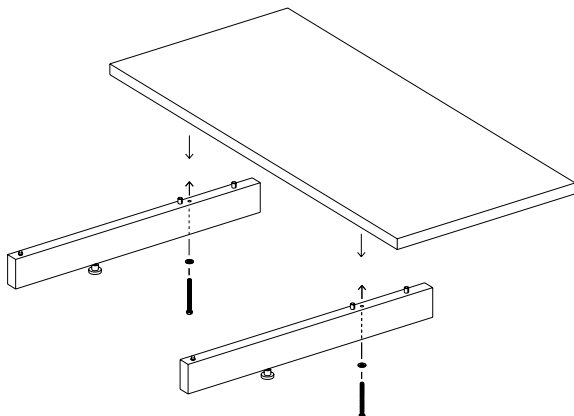
1



2

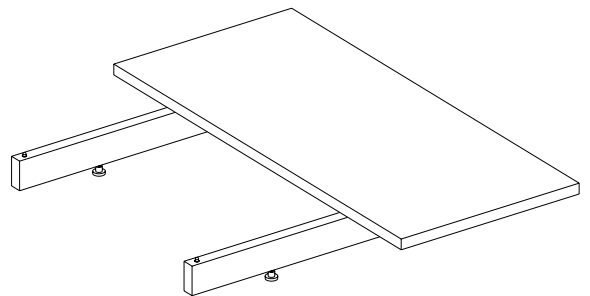


3

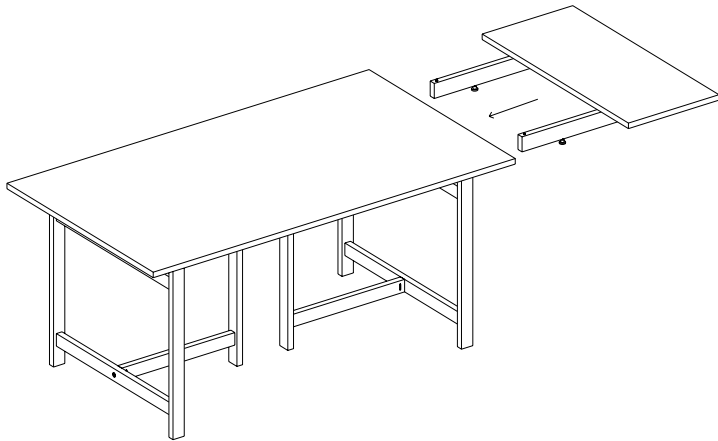


x2

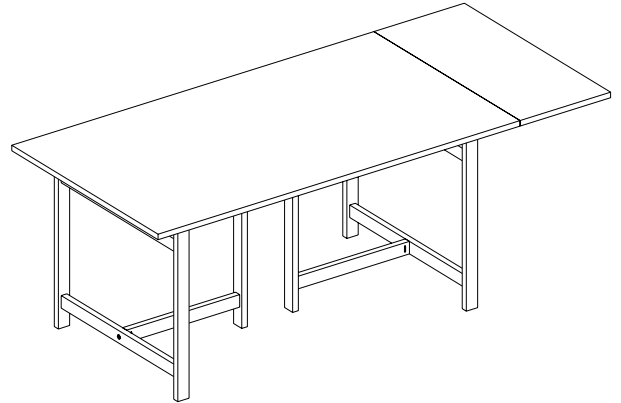
4



5



6



7

