

# Fold-out Desk

## **Congrats on your new Fold-out Desk!**

We hope very much that you are going to be happy with your new Fold-out Desk for many years to come. In the following pages you will find out how to assemble and look after your new desk.

## **Product Description**

Fold-out Desk is a wall-mounted desk that folds away in seconds.

It features just three components: two slim metal brackets, a table plate that clicks into place, and a stainless steel wire for support. When open, it creates a stable workspace supported by a single stainless steel wire. When not in use, it folds away in a clean vertical line, leaving nothing but the slim mounting brackets and the barest hint of its presence.

Made in the EU from FSC-certified and EU Ecolabel-compliant materials.

## **Assembly**

Please see the following assembly instructions or find them at [www.moebe.dk](http://www.moebe.dk)

## **Taking care of your new Fold-out Desk**

Dust with a soft, dry cloth. For deeper cleaning, wipe with a damp cloth and mild soap. Wipe off any liquid on the surface immediately to prevent stains. Do not use harsh chemicals or abrasive materials, as they may damage the surface.

## **5 Year Warranty**

We believe in what we do and in the quality of our products. That's why we give you a 5 year warranty. This guarantee covers any functional, material or manufacturing defect on any product you buy from us for private use.

## **Spare parts – Keep it going forever**

All our products are component based and have been designed this way to make repairs simple. You can find and purchase all spare parts for your product on [www.moebe.dk](http://www.moebe.dk) for a period of at least 5 years after your purchase. It should always be cheaper and easier to repair, than buying new.

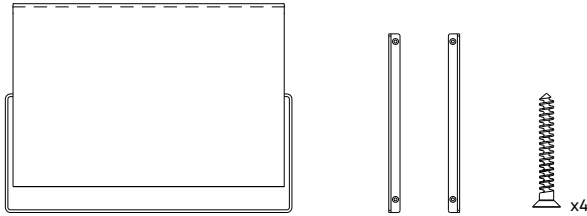
## **Recycling**

Whilst we hope that your MOEBE Fold-out Desk will serve you well for many years to come, if you do at some point wish to recycle it then it is easy to do so. Simply split the product down into its separate parts and recycle them by material.

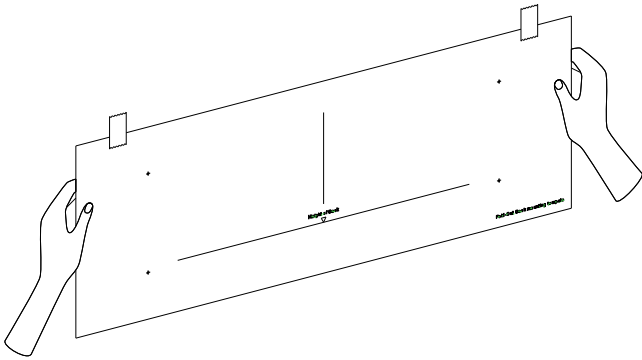
All parts can be recycled. How this is done depends on local regulations and facilities.



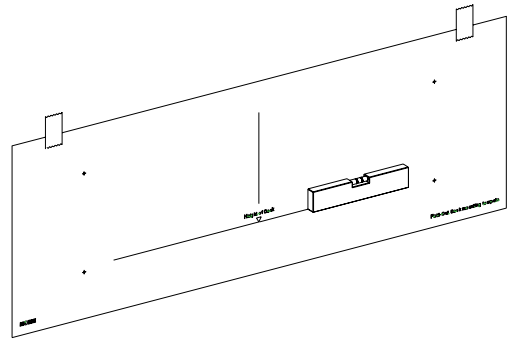
## Fold-out Desk



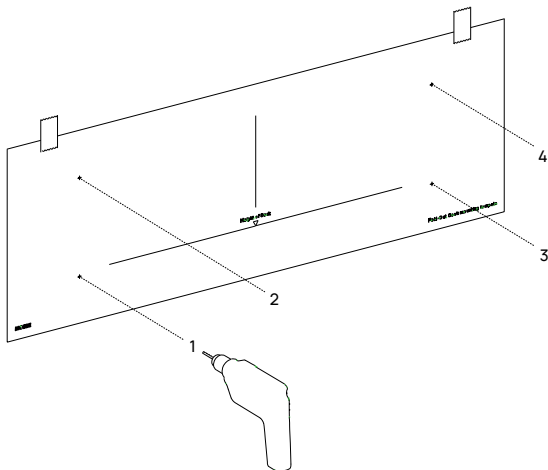
1



2



3



4

x2

